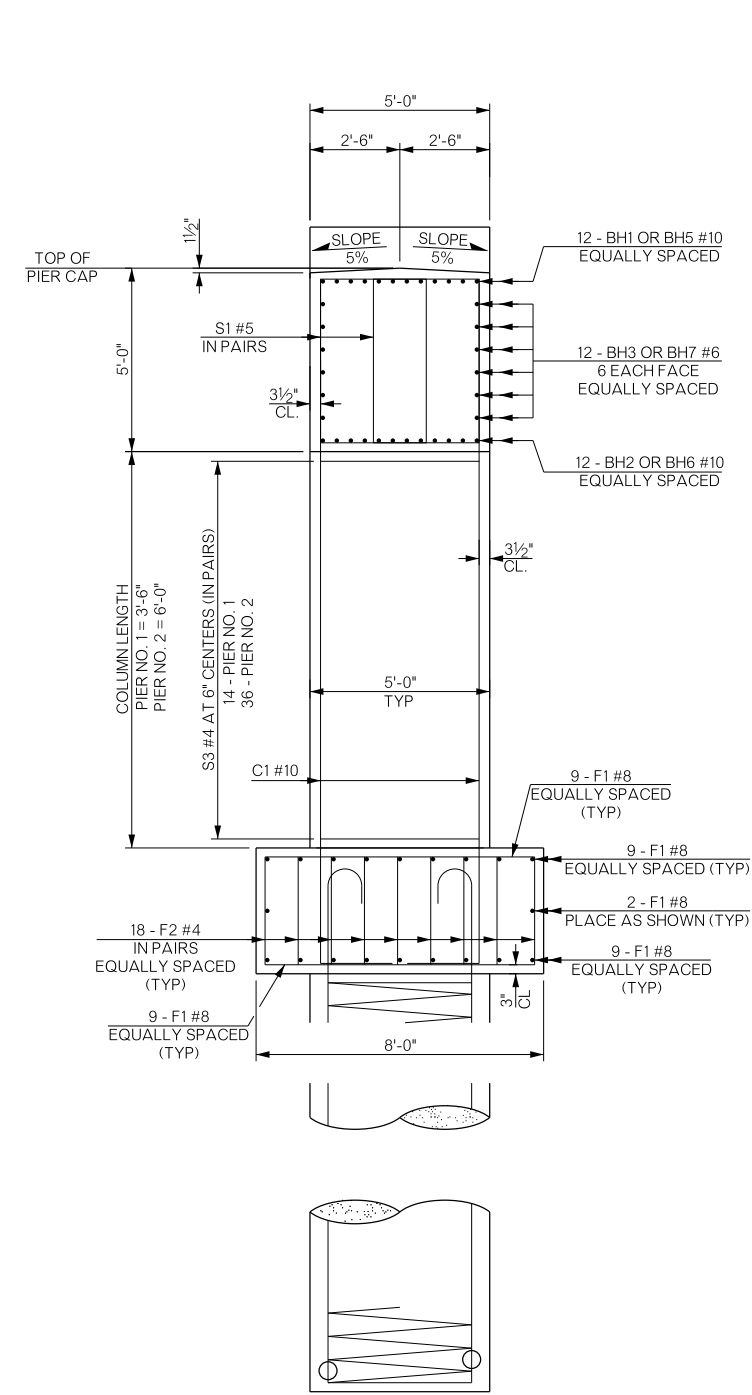
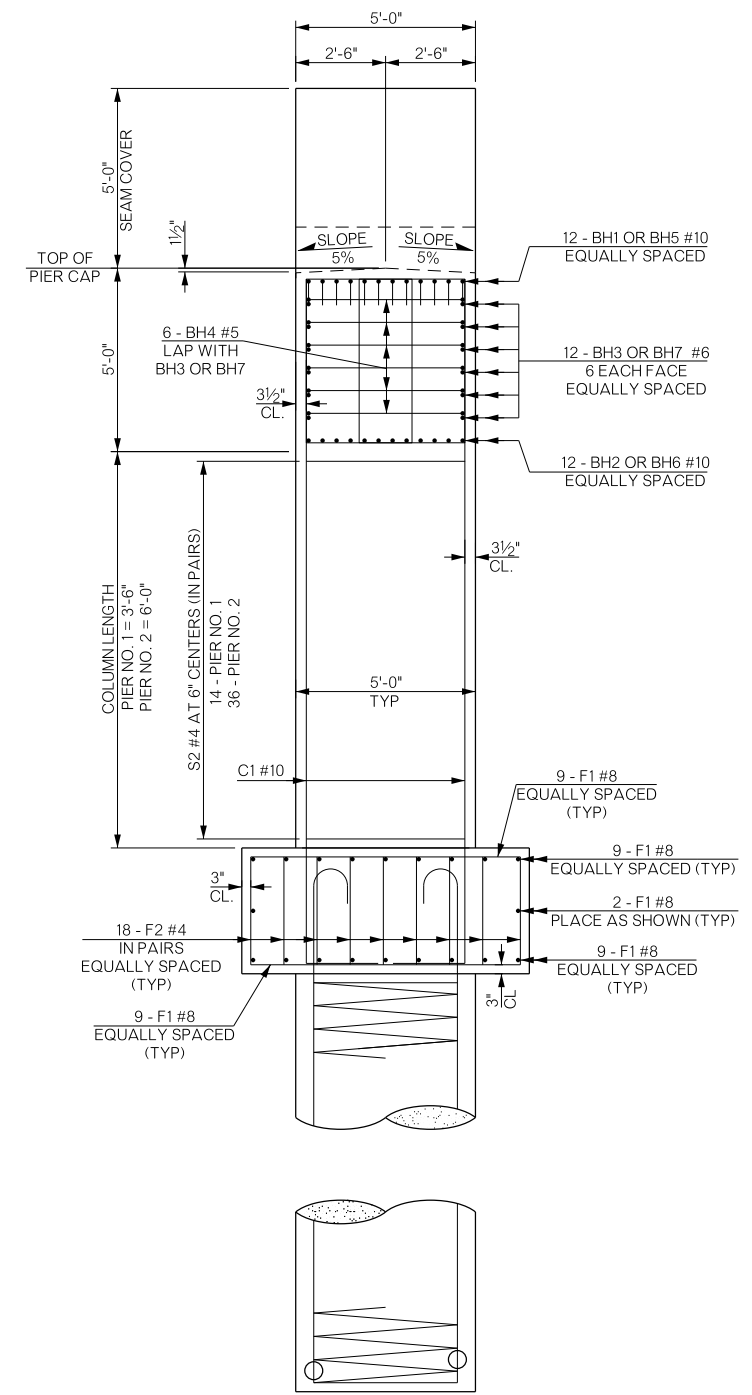


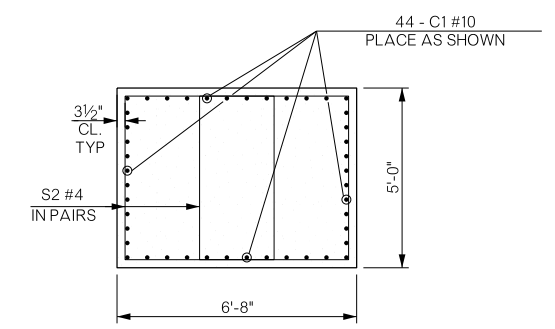
REVISIONS		
REV. NO.	DESCRIPTION	DATE



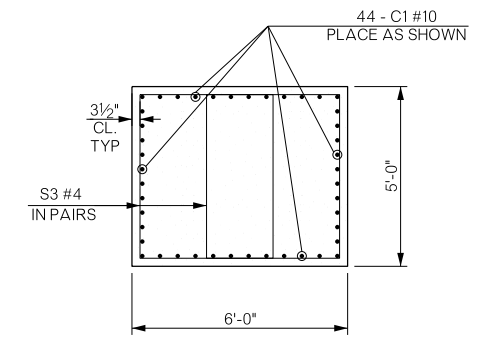
TYPICAL SECTION THRU PIER



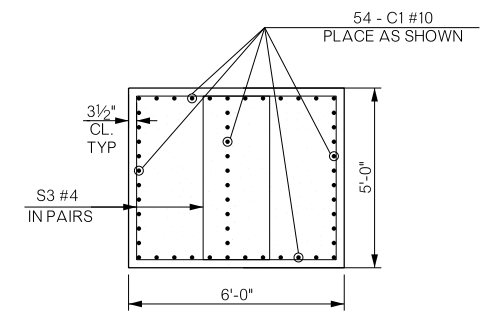
END SECTION



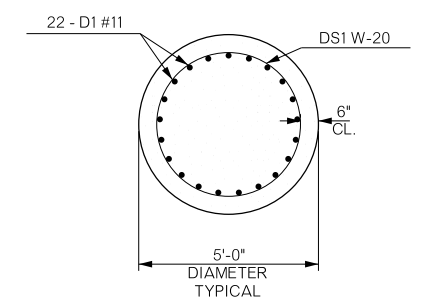
SECTION A-A



SECTION B-B



SECTION C-C (PHASE I)



SECTION D-D

BRIDGE "A" SH-33 OVER COTTONWOOD CREEK	LOGAN COUNTY	Design	GT	11/15
DETAILS OF PIERS NO. 1 & 2 (SHEET 3 OF 4)		Detail	TIS	2/16
		Check		
		Squad	PEARSON	
		Engr.	HERNANDEZ	
STATE OF OKLAHOMA	DEPARTMENT OF TRANSPORTATION	JOB/PIECE NO.	21860(04)	SHEET NO.
				B032